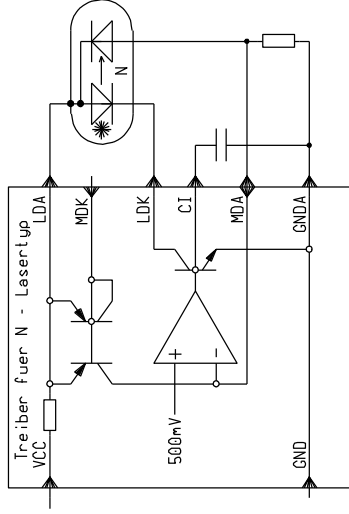


N-type Laser diode

+ case on LDA (VCC)



WKL
6V/70mA

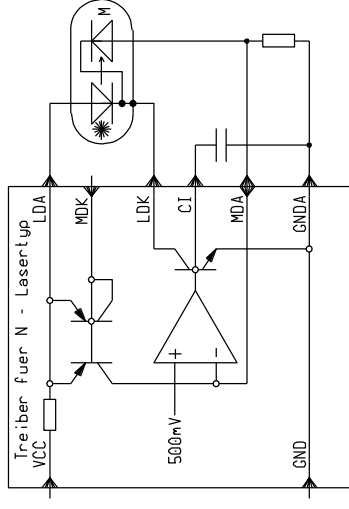
WK
6V/70mA

spike control

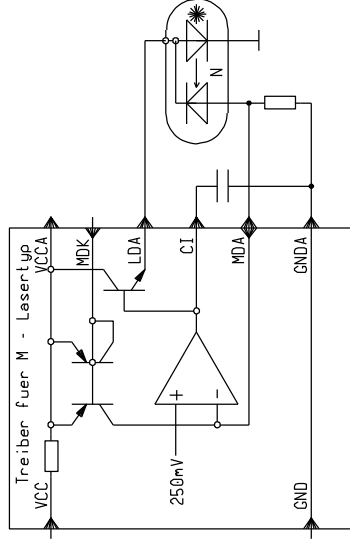
WKN
15V/300mA

M-type Laser diode

- case on LDA Potential



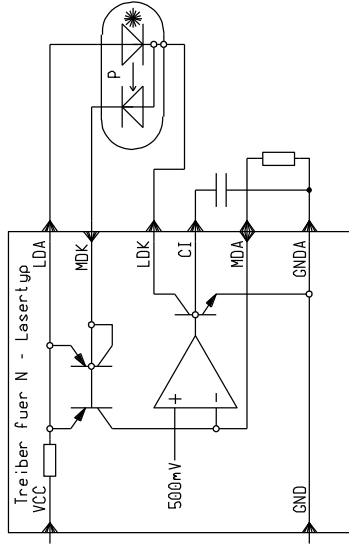
- case on LDA potential



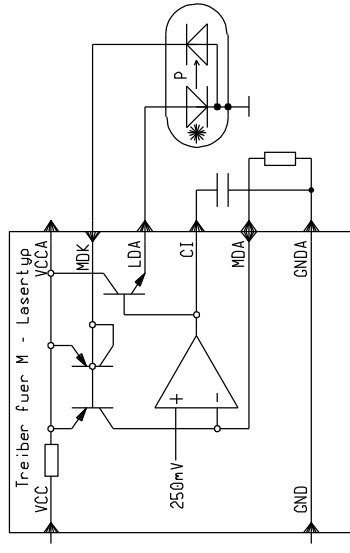
WKM
15V/350mA

P-type Laser diode

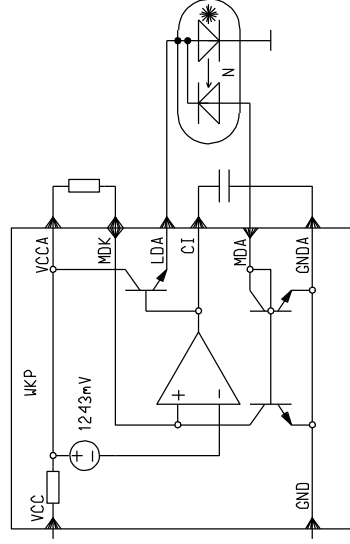
- case on LDK Potential
- currentmirror error



+ case grounded
- currentmirror error



+ case grounded
- currentmirror error



WKP
15V/350mA